

Model Overview: Metallic Models Pro-Series Pumps



MODEL	1/2"	1"	1-1/2"	2"	3"
Maximum Flow GPM (LPM)	12 (45.4)	35 (133)	90 (340.7)	172 (651)	237 (897)
Maximum Discharge Pressure PSI (BAR)	100 (6.9)	120 (8.3)	120 (8.3)	120 (8.3)	120 (8.3)
Fluid Ports Inlet/Outlet (BSP Available)	1/2" (F) - In/Out	1" (F) - In/Out	1-1/2" (F) In/Out	2" (F) In/ Out	3" (F) In/ Out
Materials of Construction	Aluminum Stainless Steel	Aluminum Stainless Steel Cast Iron	Aluminum Stainless Steel Cast Iron	Aluminum	Aluminum
Pump Weight Lbs. (Kg.)	10.4 (4.7) PD05A-XAS-X-B 16.6 (7.5) PD05A-XSS-X-B 8.0 (3.7) PD05R-XAS-X-B 14.3 (6.5) PD05R-XSS-X-B	19 (8.6) Aluminum* 36 (16.3) Stainless 31 (14.1) Cast Iron* *add 8-lb(3.63-kg) for cast iron center section	51.5 (23.4) Aluminum* 84.5 (38.3) Stainless 79.5 (36.1) Cast Iron* *add 23-lb(10.4-kg) for cast iron center section	65.2 (29.6)	109.8 (49.8)
Maximum Solids Inches (mm)	3/32 (2.4)	1/8 (3.2)	1/4 (6.4)	1/4 (6.4)	3/8 (9.5)
Best Selling Models (BSP Available)	PD05R-AAS-STT-B PD05R-ASS-STT-B PD05A-AAS-PCC-B PD05R-AAS-FTT-B PD05R-AAS-FAA-B PD05R-AAS-PTT-B	666100-3C9-C 666100-344-C 666101-344-C 666101-3EB-C 666111-244-C 666112-3EB-C	666150-3EB-C 666150-3C9-C 666150-344-C 666151-3EB-C 666151-344-C 666152-3EB-C	666250-EEB-C 666250-144-C 666250-9C9-C 666270-EEB-C 666270-144-C 666270-9C9-C	666300-EEB-C 666300-144-C 666300-9C9-C 666320-EEB-C 666320-144-C 666320-9C9-C
Recommended Filter/ Regulator	P29122-600	P29221-610	P29241-610	P29241-610	P29241-610
Air Line Kit	66073-1	66073-2	66084-1	66312	66312

1/2" Metallic Models Pro-Series Pumps

1/2" Metallic Performance Specifications

Ratio:	1:1
Maximum Flow:	12.0-g.p.m. (45.4-l.p.m.)
Displacement per cycle:	0.039-Gallons (0.15-Liters)
Air Inlet: (Female)	1/4 - 18 P.T.F. SAE Short (PD05R-X-X-B models) 1/4 - 18 N.P.T.F. - 1 (PD05A-X-X-B models)
Fluid Inlet:	1/2 - 14 N.P.T.F. - 1 Rp 1/2 (1/2 - 14 BSP, parallel)
Fluid Outlet:	1/2 - 14 N.P.T.F. - 1 Rp 1/2 (1/2 - 14 BSP, parallel)
Max. operating pressure:	100-psi (6.9-bar)
Suspended solids max. dia.:	3/32-in. (2.4-mm)
Weight: lbs (kg)	PD05A-XAS-XXX-B 10.4 (4.7) PD05A-XSS-XXX-B 16.6 (7.5) PD05R-XAS-XXX-B 8.0 (3.7) PD05R-XSS-XXX-B 14.3 (6.5)

Maximum dry suction lift: 9.1-ft (2.8-m) PTFE fitted



Ordering Menu

PD05	X	-	X	X	S	-	X	X	X	-	B
Model Series	Center Section Material	Fluid Connection	Fluid Caps/Manifold Material	Hardware Material	Seat Material	Ball Material	Diaphragm Material				
D Standard	A Aluminum R Polypropylene	A 1/2" N.P.T. B 1/2" BSP	A Aluminum S Stainless Steel	S Stainless Steel	F Aluminum P Polypropylene S Stainless Steel	A Santoprene C Hytrel* S Stainless Steel T PTFE (Teflon) U Polyurethane V Viton	A Santoprene C Hytrel* T PTFE (Teflon)/Santoprene V Viton				

* Hytrel replaces Nitrile producing superior chemical compatibility and diaphragm life

Accessories

Air Line Connection Kit*1 Kit No. 66073-1

Kit includes Piggyback Filter/Regulator with gauge, pipe nipple and a 5-foot section of air hose.

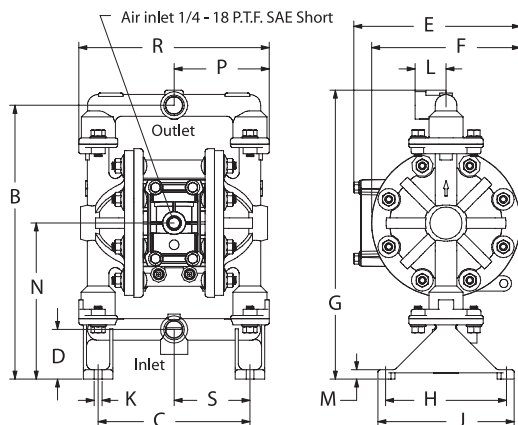
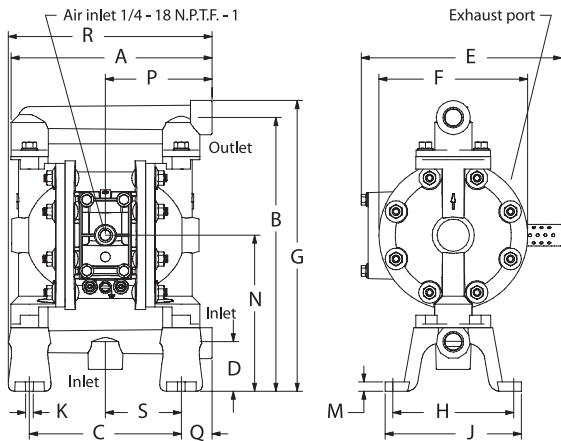
Service Repair Kits | Kit No. 637428 (air section)
Kit No. 637427-XX (fluid section)

Wall Mount | 76763

*Please note pumps are not included with these kits.

1/2" Metallic Dimensions and Flow Curves Pro-Series Pumps

1/2" Metallic Dimensions and Flow Charts

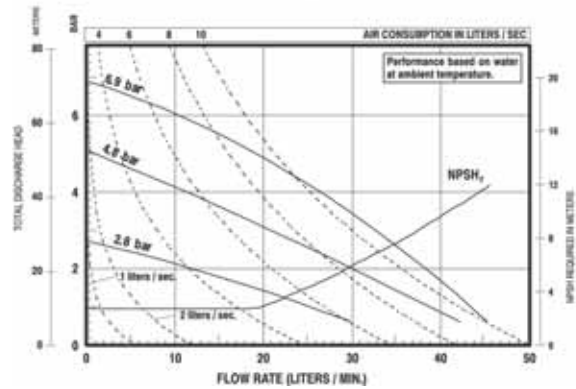
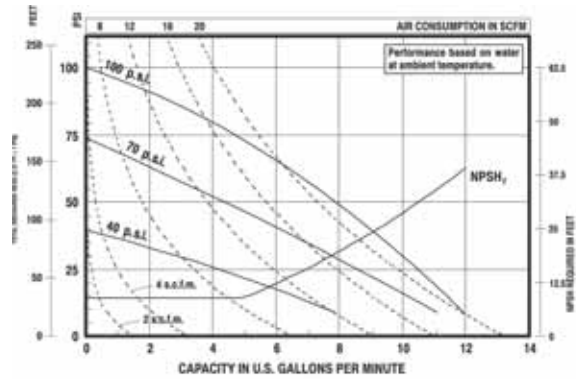


DIMENSIONS

A 8-1/8" (206.0 mm)	G see below	N 6-5/16" (159.9 mm)
B 11-1/16" (280.4 mm)	H 4-7/8" (123.8 mm)	P see below
C 6-1/8" (155.6 mm)	J 5-1/2" (139.7 mm)	Q 1-1/4" (31.6 mm)
D 2" (50.8 mm)	K 5/16" (8.0 mm)	R see below
E see below	L 1-1/4" (31.8 mm)	S 3-1/16" (77.8 mm)
F 6" (152.4 mm)	M 3/8" (9.5 mm)	

Dimension	PD05A-XXS-XXX-B	PD05R-XXS-XXX-B
"E"	8-3/32" (205.5 mm)	6-23/32" (170.6 mm)
"G"	11-3/4" (297.9 mm)	11-21/32" (296.0 mm)
"P"	4-5/16" (109.3 mm)	3-27/32" (97.4 mm)
"R"	8-7/32" (208.5 mm)	7-11/16" (194.9 mm)

NOTE: Dimensions are shown in inches and (mm), supplied for reference only and are typically rounded up to the nearest 1/16 inch.



Refer to www.irtools.com/aro/ for full size flow curves.

For additional information contact technical support at (800)495-0276

METALLIC